

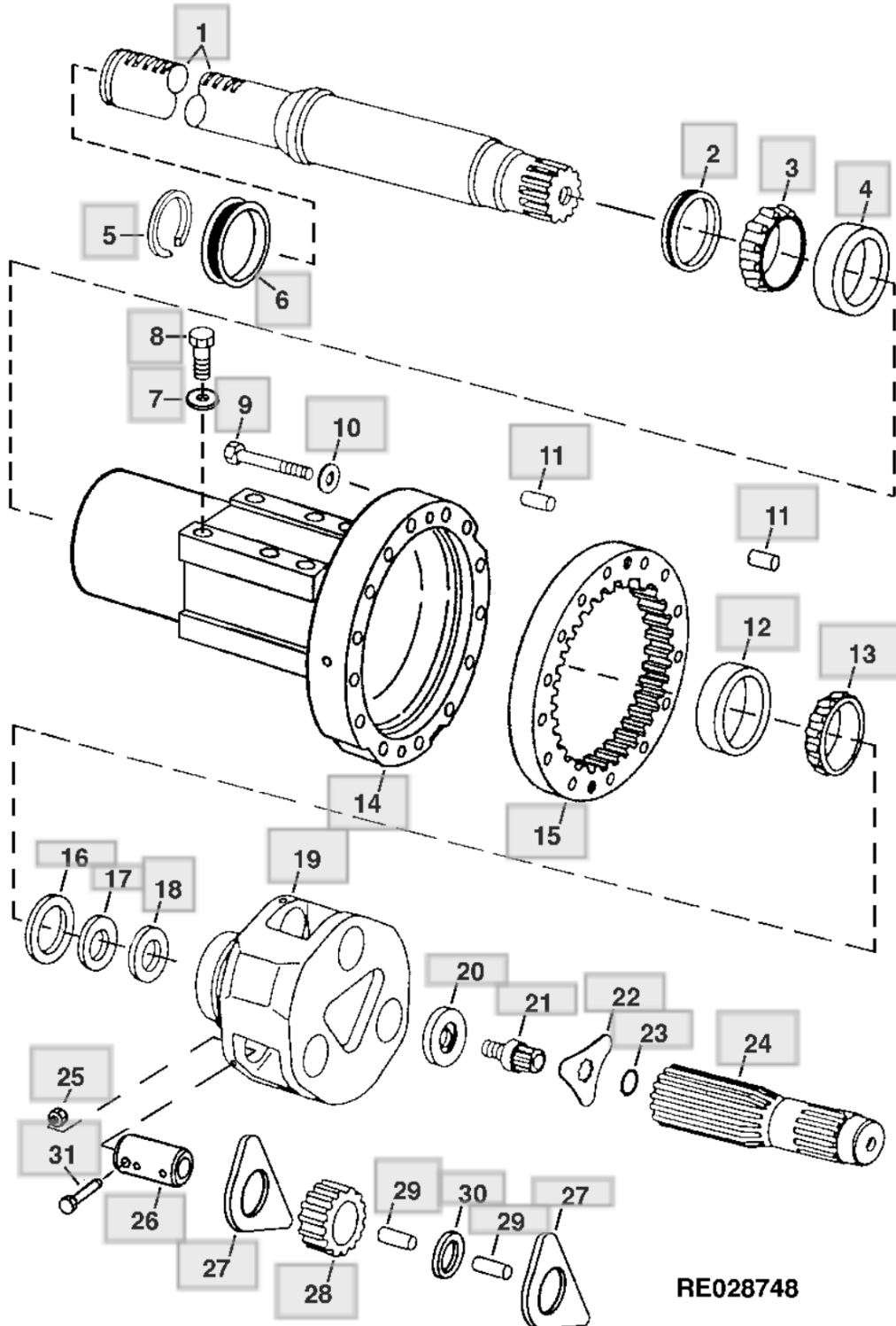
Parts List





JOHN DEERE

Planetary And Axle Shaft (110MM) (PST) (W/O Secondary Brake) - ST426628

9100, 9200, 9300 and 9400 Tractors (Worldwide Edition) -
PC2500 > 53 AXLES, DIFFERENTIAL & PTO




RE028748

Part	Quantity Required
<p>1 - Shaft</p> <p>Part Number : R122413</p> <p>Supported Models : 9200, 9300, 9400</p> <p>Remarks : (SUB R174211)</p> <p> This part has been substituted.</p>	1
<p>1 - Shaft</p> <p>Part Number : R153618</p> <p>Supported Models : 9200, 9300, 9400</p> <p>Remarks : (SUB R174212)</p> <p> This part has been substituted.</p>	1
<p>1 - Shaft</p> <p>Part Number : R174212</p> <p>Supported Models : 9200, 9300, 9400</p>	1
<p>2 - Bushing</p> <p>Part Number : R111904</p> <p>Supported Models : 9200, 9300, 9400</p>	1
<p>3 - Bearing Cone</p> <p>Part Number : JD10134</p> <p>Supported Models : 9200, 9300, 9400</p>	1
<p>4 - Bearing Cup</p> <p>Part Number : JD10135</p> <p>Supported Models : 9200, 9300, 9400</p>	1
<p>5 - Snap Ring</p> <p>Part Number : R71975</p> <p>Supported Models : 9200, 9300, 9400</p>	1
<p>6 - Seal</p> <p>Part Number : RE168641</p> <p>Supported Models : 9200, 9300, 9400</p> <p>Remarks : (SUB FOR R127247 OR R163305)</p>	1
<p>7 - Washer</p>	6

Part	Quantity Required
Part Number : 24M7243 Supported Models : 9200, 9300, 9400 Remarks : 25.400 X 50 X 6 mm	
8 - Cap Screw	6
Part Number : 19M7781 Supported Models : 9200, 9300, 9400 Remarks : M24 X 150, HS=10.9	
9 - Cap Screw	14
Part Number : 19M8190 Supported Models : 9200, 9300, 9400 Remarks : M16 X 180, HS=12.9	
10 - Washer	14
Part Number : R135543 Supported Models : 9200, 9300, 9400	
11 - Dowel Pin	2
Part Number : R54380 Supported Models : 9200, 9300, 9400	
11 - Dowel Pin	4
Part Number : R54380 Supported Models : 9200, 9300, 9400	
12 - Bearing Cup	1
Part Number : JD9127 Supported Models : 9200, 9300, 9400	
13 - Bearing Cone	1
Part Number : JD9069 Supported Models : 9200, 9300, 9400	
14 - Housing	1
Part Number : R122412 Supported Models : 9200, 9300, 9400	
14 - Housing	1

Part	Quantity Required
Part Number : R154153	
Supported Models : 9200, 9300, 9400	
14 - Housing	1
Part Number : R158632	
Supported Models : 9200, 9300, 9400	
15 - Ring Gear	1
Part Number : R135967	
Supported Models : 9200, 9300, 9400	
15 - Ring Gear	1
Part Number : R153972	
Supported Models : 9200, 9300, 9400	
15 - Ring Gear	1
Part Number : R165605	
Supported Models : 9200, 9300, 9400	
16 - Shim	1
Part Number : R63237	
Supported Models : 9200, 9300, 9400	
17 - Washer	1
Part Number : F2380R	
Supported Models : 9200, 9300, 9400	
18 - Shim	1
Part Number : R59439	
Supported Models : 9200, 9300, 9400	
18 - Shim	1
Part Number : R59440	
Supported Models : 9200, 9300, 9400	
18 - Shim	1
Part Number : R61461	

Part	Quantity Required
Supported Models : 9200, 9300, 9400	
18 - Shim	1
Part Number : R79989	
Supported Models : 9200, 9300, 9400	
19 - Planet Pinion Carrier	1
Part Number : R115413	
Supported Models : 9300, 9400	
19 - Planet Pinion Carrier	1
Part Number : R153620	
Supported Models : 9300, 9400	
19 - Planet Pinion Carrier	1
Part Number : R111449	
Supported Models : 9200	
19 - Planet Pinion Carrier	1
Part Number : R296985	
Supported Models : 9200	
Remarks : (SUB FOR R153621)	
20 - Spacer	1
Part Number : R86675	
Supported Models : 9200, 9300, 9400	
Remarks : (SUB R186804)	
 This part has been substituted.	
20 - Retainer	1
Part Number : R186804	
Supported Models : 9200, 9300, 9400	
21 - Bolt	1
Part Number : R81162	
Supported Models : 9200, 9300, 9400	
22 - Plate	1

Part	Quantity Required
Part Number : R69549 Supported Models : 9200, 9300, 9400	
23 - O-Ring	1
Part Number : F3171R Supported Models : 9200, 9300, 9400	
24 - Pinion	1
Part Number : R134669 Supported Models : 9200 Remarks : (SUB R157058, R165605 AND (3) R157059)	
24 - Pinion	1
Part Number : R134669 Supported Models : 9300, 9400 Remarks : (SUB R157058, R165605 AND (3) R170650)	
24 - Shaft	1
Part Number : R314670 Supported Models : 9200, 9300, 9400 Remarks : Z = 14, SUB FOR R157058 OR R328178	
25 - Lock Nut	3
Part Number : 14M7452 Supported Models : 9200, 9300, 9400 Remarks : M8	
26 - Pinion Shaft	3
Part Number : R125070 Supported Models : 9300, 9400	
26 - Pinion Shaft	3
Part Number : R125069 Supported Models : 9200	
27 - Thrust Washer	6
Part Number : R268521 Supported Models : 9200, 9300, 9400	

Part	Quantity Required
Remarks : (SUB FOR AR253240 OR R121239)	
28 - Planet Pinion Part Number : R124629 Supported Models : 9200 Remarks : (SUB (3) R157059, R157058 AND R165605)	3
28 - Planet Pinion Part Number : R560118 Supported Models : 9200 Remarks : SUB FOR R157059 ⓘ This part has been substituted.	3
28 - Planet Pinion Part Number : R124630 Supported Models : 9300, 9400 Remarks : (SUB (3) R170650, R157058 AND R165605)	3
28 - Spur Gear Part Number : R170650 Supported Models : 9300, 9400 Remarks : ORDER R554198(SUB FOR R157060) (SUB R198700) ⓘ This part has been substituted.	3
28 - Planet Pinion Part Number : R554198 Supported Models : 9300, 9400 Remarks : SUB FOR R224672 OR R198700 OR R170650 OR R157060 ⓘ This part has been substituted.	3
29 - Needle Roller Part Number : R63575 Supported Models : 9300, 9400	204
29 - Needle Roller Part Number : R94655 Supported Models : 9200	204

Part	Quantity Required
30 - Spacer Part Number : R160837 Supported Models : 9200, 9300, 9400 Remarks : (SUB FOR R107242)	3
31 - Bolt Part Number : R182695 Supported Models : 9200, 9300, 9400 Remarks : HS=12.9, (SUB FOR R125362)	3
