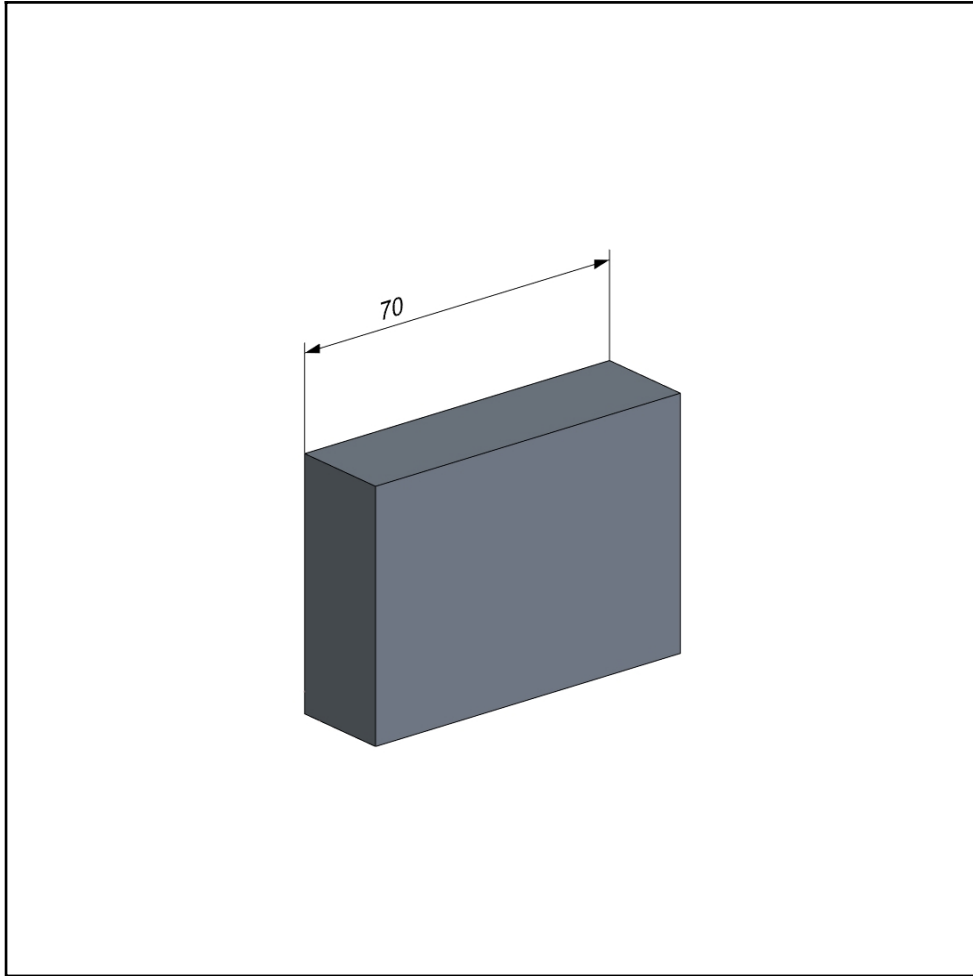


Title		Revision A	Designer	MGR Approv.	ENG Approv.	QA Approv.
Part Number	#####		<i>Enter Name</i>			
Description	<i>Enter Text</i>					
		MM/DD/YYYY				



General Notes

