

LAMP MODULE INSTRUCTIONS

Adjustment, Removal & Replacement

Aiming & Adjustment

STEP 1 Loosen (DO NOT REMOVE) Horizontal Lock Screw & rotate the entire Module to desired horizontal rotation adjustment.

Use Horizontal Lock Screw to secure the horizontal adjustment - **FIG 4.3**.

STEP 2 Loosen Vertical Lock Knob & adjust Module to desired vertical aiming position. Tighten Lock Knob to secure the vertical adjustment - **FIG 4.1**.

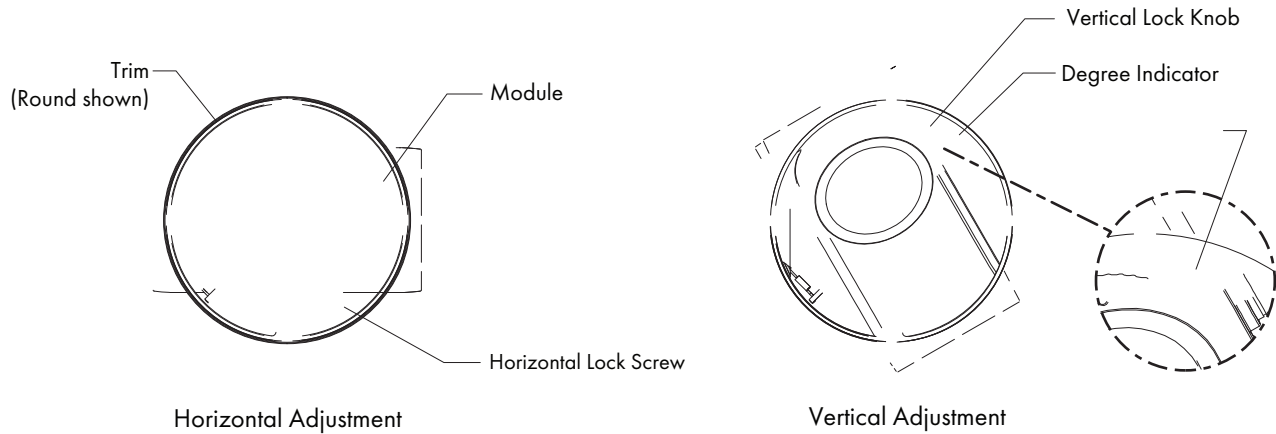


FIG 4.1 Aiming Adjustment

Removal

STEP 1 Remove Trim Plate & then unscrew & remove accessories. Loosen Stop Knob, if needed, & adjust Module to position slot over the center screw as shown - **FIG 4.2**.

STEP 2 Loosen center screw using 1/8" Hex Key through slot, Pull Module through & disconnect wire connectors - **FIG 4.2 & 4.3**.

Replacement

STEP 1 Remove existing Module by following removal instructions above.

STEP 2 Insert Module up through trim & connect wire connector. **Note:** Make sure not to trap wiring underneath- **FIG 4.3**. Follow removal instructions STEP 3 Fasten center screw into threaded hole - **FIG 4.2**.

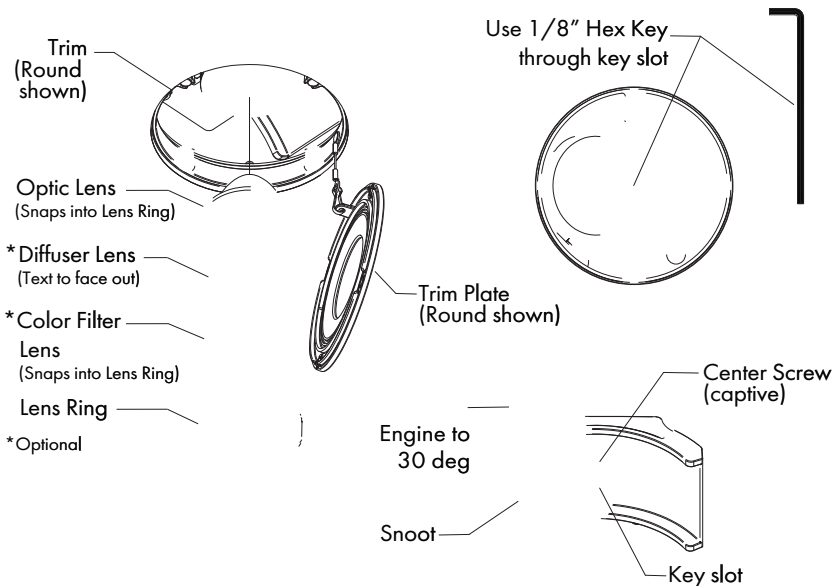


FIG 4.2 Loosen Module screw

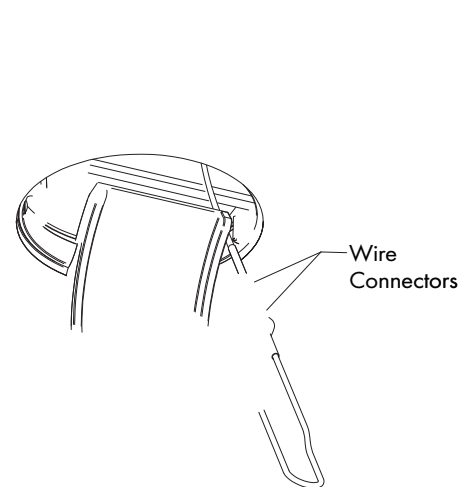


FIG 4.3 Remove/Replace Module